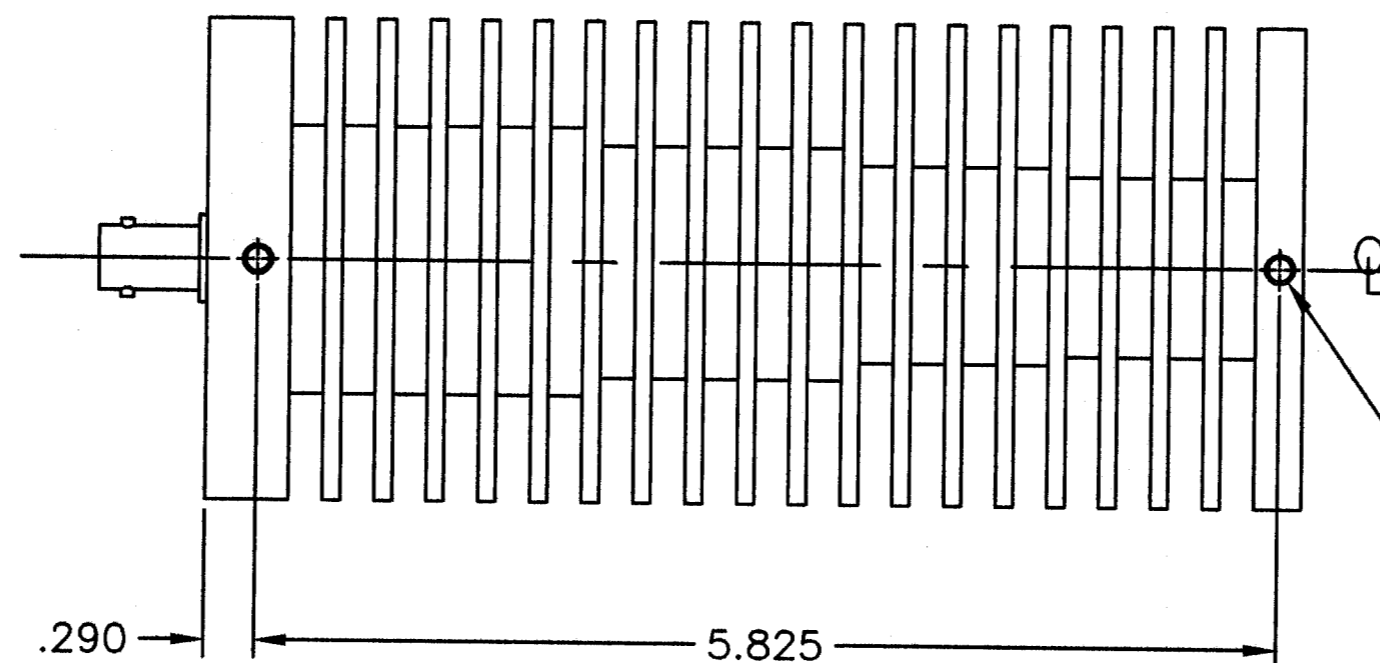
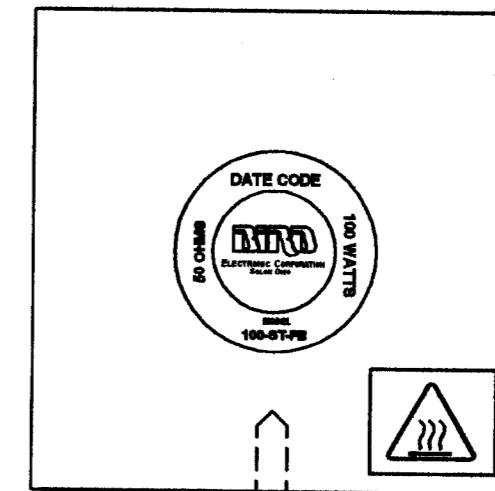
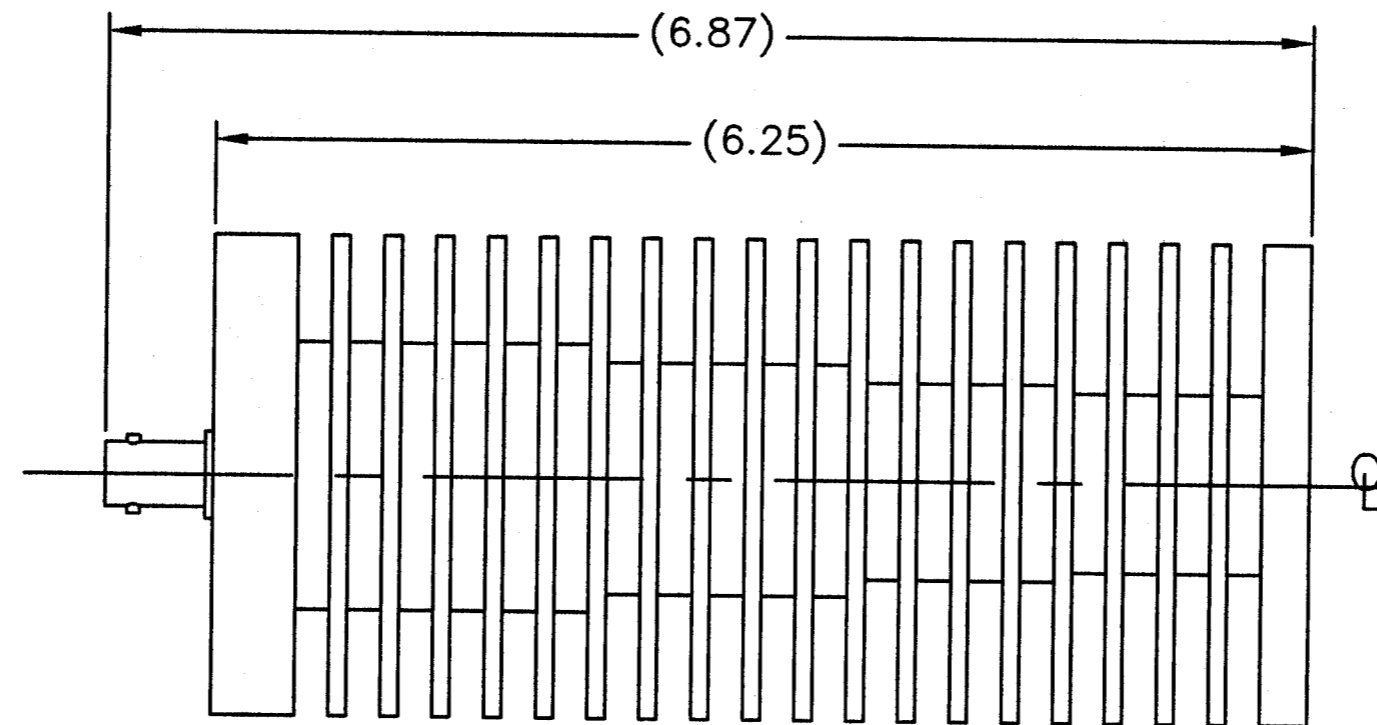
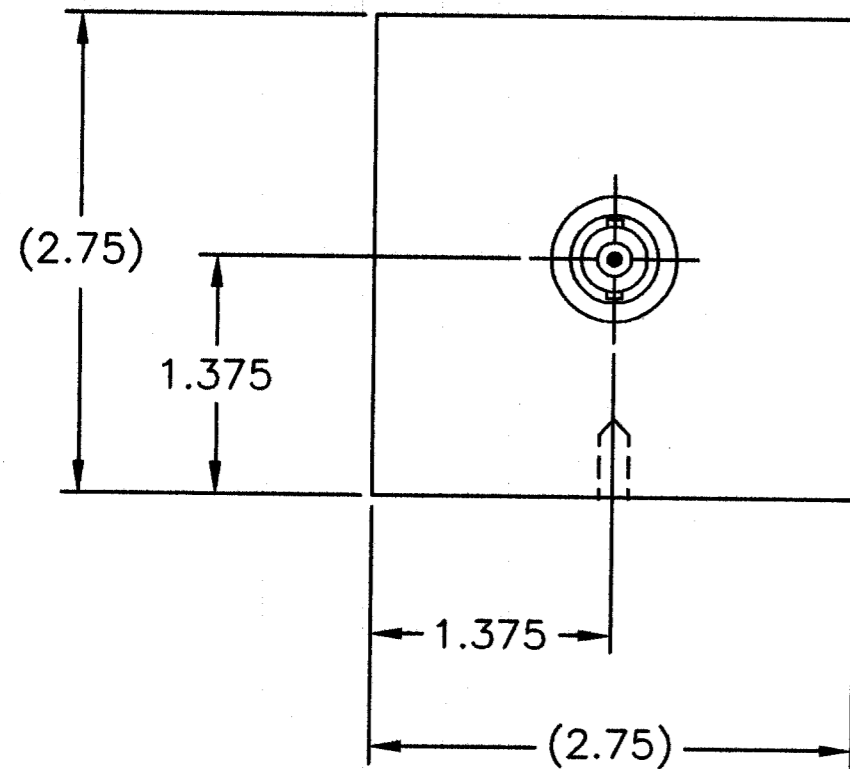


SPECIFICATIONS:

IMPEDANCE: 50 OHMS NOMINAL
 FREQUENCY RANGE: DC TO 4 GHz
 VSWR: DC TO 1GHz AT 1.10:1 MAX.
 1GHz TO 4 GHz AT 1.25:1 MAX.
 POWER RATING: 100 WATTS MAX. @ 40°C.
 125 WATTS MAX. @ 25°C.
 COOLING FIN: ALUMINUM, BLACK ANODIZED
 HEAT SPREADER: ALUMINUM, TRI-ALLOY PLATED
 CONNECTOR: BNC FEMALE, TRI-ALLOY PLATED
 OPERATING POSITION: ANY
 NOMINAL SIZE: APPROX. 6.87" L. X 2.75" SQ.
 WEIGHT: 42 OZ. MAX.

REVISIONS		DWG. NO.	SHEET	REV
ZONE	REV	DESCRIPTION	DATE	APPROVED
A		ECN #0210	11-5-98	MEV



UNLESS OTHERWISE SPECIFIED DIMENSIONS ARE IN INCHES TOLERANCES ARE: FRACTIONS DECIMALS ANGLES ± 1/64 .005 ± 0.010 ± 30° DO NOT SCALE DRAWING		MILLIMETERS .X = ±.4 .XX = ±.12		THIS DRAWING IS THE PROPERTY OF THE BIRD ELECTRONIC CORPORATION. THE DESIGNS AND SPECIFICATIONS DISCLOSED HEREON ARE PROPRIETARY AND SHALL NOT BE REPRODUCED, NOR COPIED, NOR USED AS THE BASIS FOR THE MANUFACTURE OR SALE OF APPARATUS OR DEVICES WITHOUT THEIR EXPRESS WRITTEN CONSENT.			
MATERIAL		APPROVALS		DATE		TITLE	
		D.M.RINK		3-6-03		TERMINATION, AXIAL, CONVECTION COOLED, BNC FEMALE, 100W	
FINISH		APPROVED		DATE		SIZE FSCM NO. DWG. NO. REV	
		MEV		6-15-03		C 70998 100-ST-FB A	
		AUTOCAD		SCALE 1:1		COMM CODE LD1 SHEET 1 OF 1	

